

# Blow Gun

## Usage Information

**Main applications:** used in clean tasks in the industrial (products, machines, tools, molds, etc.), agricultural (tractors cabins and combine harvesters) and mobile (trucks) sectors. Manufactured in polyamide, it has a 1/4" BSP standard tread to link to the air system. The air blow gun clean must be done with a inferior 10 bar pressure.

**Fluid of passage:** compressed air

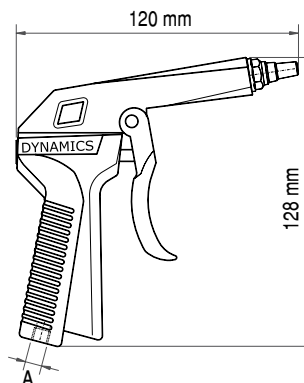


## Technical Information

| Rated Flow<br>(system pressure of<br>6 bar) | Maximum Work<br>Pressure<br>(bar) |
|---|-----------------------------------|
| 250 l/min                                   | 12                                |

Available Item

| Code         | A<br>Thread |
|--------------|-------------|
| 131.026000.B | 1/4" BSP    |



## Materials

- ⇒ Black polyamide
- ⇒ Metal components in carbon steel and brass
- ⇒ Working temperature from -22°F to +158°F (oilproof seals)

Viton (Fluorocarbon) is a Du Pont-Dow Elastomers trademark.  
 Dynamics reserves the right to change any information without notice.  
 The data and pictures of this brochure are just informative and not authoritative.

# Plus Blow Gun

## Usage Information

**Main applications:** used in clean tasks in the industrial (products, machines, tools, molds, etc.), agricultural (tractors cabins and combine harvesters) and mobile (trucks) sectors. Manufactured in polyamide, it has a 1/4" BSP standard tread to link to the air system. The air blow gun clean must be done with a inferior 10 bar pressure.

**Fluid of passage:** compressed air

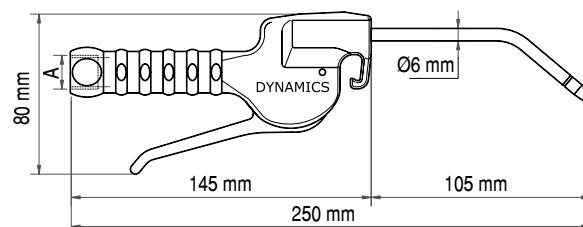


## Technical Information

| Rated Flow<br>(system pressure of<br>6 bar) | Maximum Work<br>Pressure<br>(bar) |
|---|-----------------------------------|
| 420 l/min                                   | 12                                |

Available Item

| Code         | A<br>Thread |
|--------------|-------------|
| 131.046000.0 | 1/4" BSP    |



## Materials

- ⇒ Blue polyacetal
- ⇒ Metal components in carbon steel and brass
- ⇒ Working temperature from -22°F to +158°F

Modelo

| Código       | A<br>Rosca<br>Interna |
|--------------|-----------------------|
| 131.046300.0 | 1/4" BSP              |

